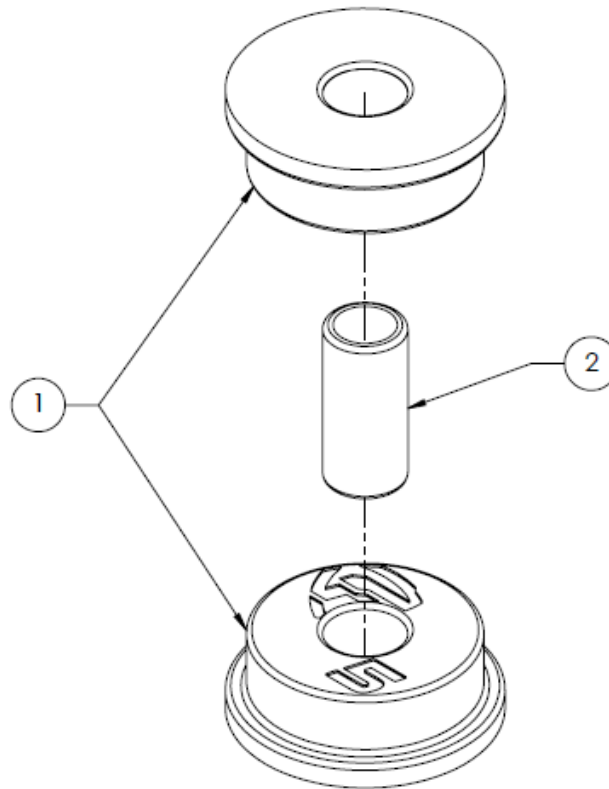




INSTALLATION INSTRUCTIONS

FFA 1.10009.1

SUBARU 5 Speed Shifter Bushings



BILL OF MATERIALS			
Item #	Description	QTY	Part Number
1	BUSHING	2	2.10009.1.1.2
2	SLEEVE	1	2.10009.1.2.1

TOOL LIST
Ratchet
12mm Socket
12mm Wrench
Needle Nose Pliers

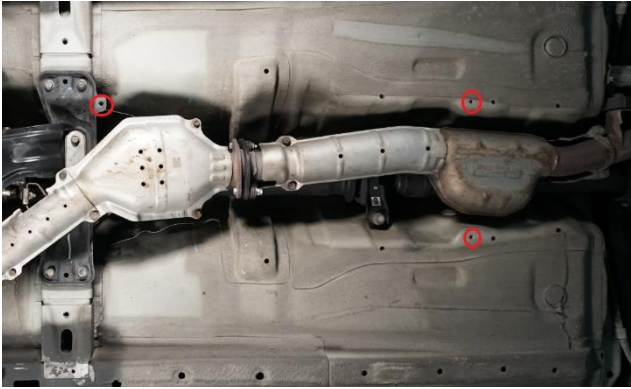
DISCLAIMER: PLEASE READ AND MAKE SURE YOU FULLY UNDERSTAND THE INSTALLATION INSTRUCTIONS PRIOR TO INSTALLING FACTION FAB PRODUCTS AND ACCESSORIES. FAILURE TO INSTALL THE PRODUCT CORRECTLY CAN AND WILL RESULT IN IRREVERSIBLE VEHICLE DAMAGE AND OR PERSONAL HARM. IF YOU DO NOT FEEL COMFORTABLE WITH ANY OF THE REQUIRED STEPS, WE HIGHLY SUGGEST TAKING THE VEHICLE TO A QUALIFIED AND EXPERIENCED TECHNICIAN. FAILURE TO UNDERSTAND THE INSTRUCTIONS WHICH RESULTS IN DAMAGE AND OR INJURY IS THE SOLE RESPONSIBILITY OF THE INSTALLER AND ALL FAULT LIES WITH THAT PARTY AND OR INDIVIDUAL AND IS NOT IN ANY WAY, SHAPE OR FORM THE RESPONSIBILITY OF FACTION FAB.

FACTION FAB PRODUCTS ARE SOLD FOR "OFF-ROAD" USE ONLY AND MAY NOT MEET LEGAL REQUIREMENTS FOR OPERATIONS ON PUBLIC ROADS AND HIGHWAYS. WE PUT THE RESPONSIBILITY SOLELY ON THE END CONSUMER/CUSTOMER TO VERIFY THAT THE PRODUCTS DO NOT EFFECT THE VEHICLES ELIGIBILITY TO BE DRIVEN ON PUBLIC ROADS AND HIGHWAYS. INSTALLATION OF FACTION FAB PRODUCTS MAY VOID FACTORY OR AFTERMARKET WARRANTIES.

USE OF PRODUCT IN A NON-CONFIRMED APPLICATION, DISASSEMBLY OF THE PRODUCT, MODIFICATION OF THE PRODUCT, EXPOSING PRODUCT TO CORROSIVE OR PETROLIUM BASED CHEMICANS WILL VOID ANY AND ALL WARRANTY.

1

Remove bolts holding the heatshield between the exhaust and driveshaft



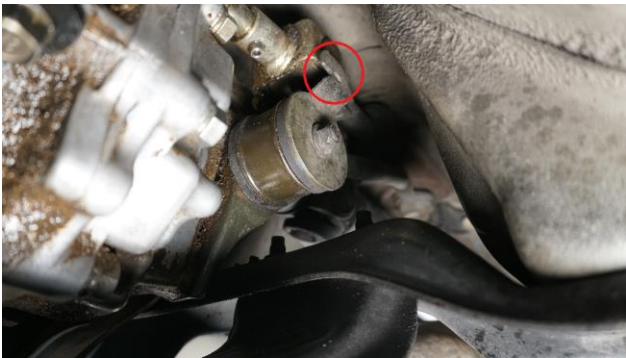
2

Remove Oxygen Sensor from Exhaust and remove heatshield



3

Remove Spring (if equipped)



4

Remove front Shifter linkage bushing Nut



5

Remove front Shift linkage with bushing from the Bushing support



6

Remove bushing by pressing out the rubber and thoroughly clean all shifter parts.



7

Install sleeve on the shaft. Install bushing wide side against transmission onto sleeve.



8

Install shifter linkage onto bushing. Install 2nd bushing, support plate and spring if equipped



Follow steps 2 and 1 backwards, tighten all re-installed hardware to factory specification to complete the install.