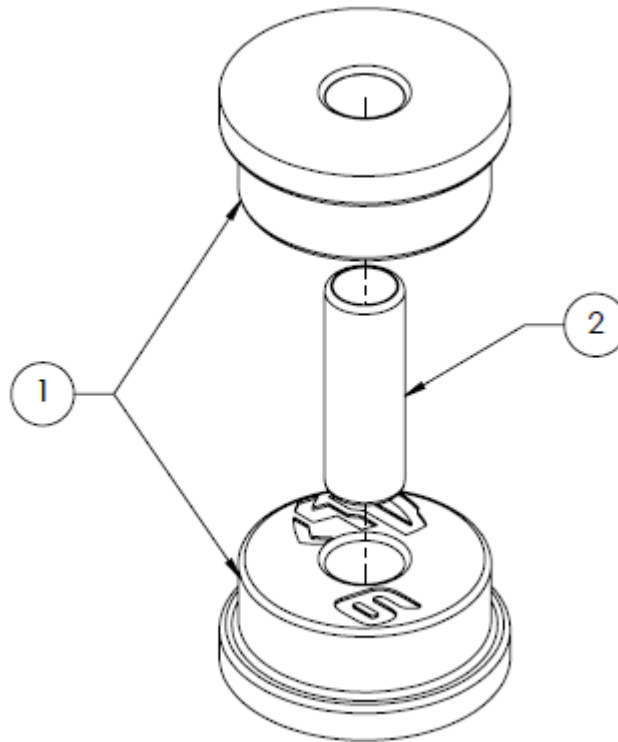




INSTALLATION INSTRUCTIONS

FFA 1.10008.1

SUBARU 6 Speed Shifter Bushings



BILL OF MATERIALS			
Item #	Description	QTY	Part Number
1	BUSHING	2	2.10008.1.1.2
2	SLEEVE	1	2.10008.1.2.1

TOOL LIST
Ratchet, Extensions
10mm, 12mm, 14mm SOCKET
12mm, 14mm Open End Wrench
Oxygen Sensor Socket
Torque Wrench

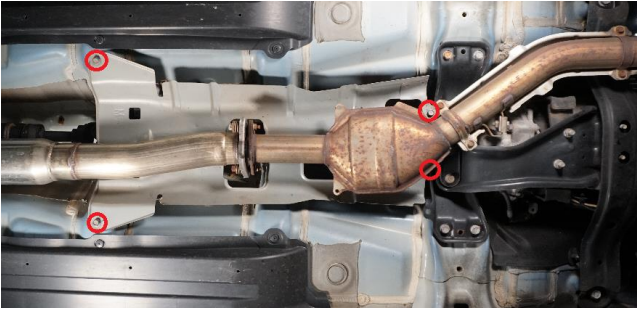
DISCLAIMER: PLEASE READ AND MAKE SURE YOU FULLY UNDERSTAND THE INSTALLATION INSTRUCTIONS PRIOR TO INSTALLING FACTION FAB PRODUCTS AND ACCESSORIES. FAILURE TO INSTALL THE PRODUCT CORRECTLY CAN AND WILL RESULT IN IRREVERSIBLE VEHICLE DAMAGE AND OR PERSONAL HARM. IF YOU DO NOT FEEL COMFORTABLE WITH ANY OF THE REQUIRED STEPS, WE HIGHLY SUGGEST TAKING THE VEHICLE TO A QUALIFIED AND EXPERIENCED TECHNICIAN. FAILURE TO UNDERSTAND THE INSTRUCTIONS WHICH RESULTS IN DAMAGE AND OR INJURY IS THE SOLE RESPONSIBILITY OF THE INSTALLER AND ALL FAULT LIES WITH THAT PARTY AND OR INDIVIDUAL AND IS NOT IN ANY WAY, SHAPE OR FORM THE RESPONSIBILITY OF FACTION FAB.

FACTION FAB PRODUCTS ARE SOLD FOR "OFF-ROAD" USE ONLY AND MAY NOT MEET LEGAL REQUIREMENTS FOR OPERATIONS ON PUBLIC ROADS AND HIGHWAYS. WE PUT THE RESPONSIBILITY SOLELY ON THE END CONSUMER/CUSTOMER TO VERIFY THAT THE PRODUCTS DO NOT EFFECT THE VEHICLES ELIGIBILITY TO BE DRIVEN ON PUBLIC ROADS AND HIGHWAYS. INSTALLATION OF FACTION FAB PRODUCTS MAY VOID FACTORY OR AFTERMARKET WARRANTIES.

USE OF PRODUCT IN A NON-CONFIRMED APPLICATION, DISASSEMBLY OF THE PRODUCT, MODIFICATION OF THE PRODUCT, EXPOSING PRODUCT TO CORROSIVE OR PETROLIUM BASED CHEMICANS WILL VOID ANY AND ALL WARRANTY.

1

Remove bolts holding the heatshield between the exhaust and driveshaft



2

Remove Oxygen Sensor from Exhaust and remove heatshield



3

Remove Driveshaft Carrier Bolts



4

Remove Rear Shifter Bushing Bolts



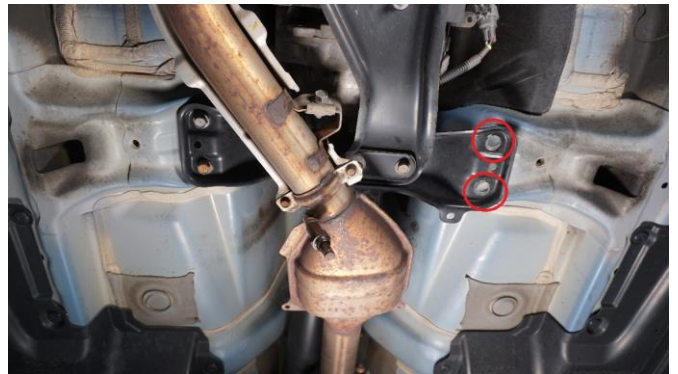
5

Loosen Front Shifter Bushing Bolt



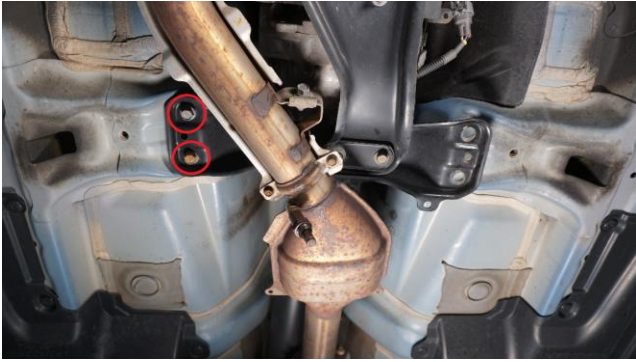
6

1 Remove Left Side (US Driver Side) Rear Transmission Crossmember Bolts.



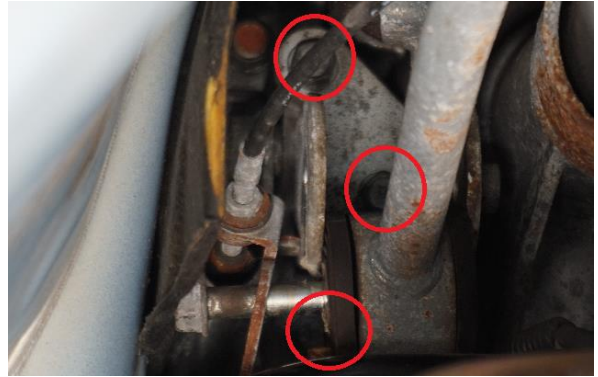
7

Loosen but Don't remove Right Side (US Passenger Side) Rear Transmission Crossmember Bolts



8

2 Lower Front Shift Linkage and remove 3 bolts holding the front mount to the transmission.



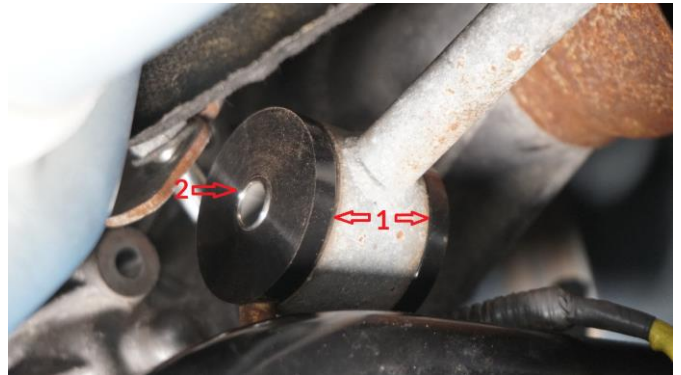
9

Remove front shifter bushing bolt and press out the bushing



10

Install FactionFab Bushings (1) and center metal sleeve (2) into shifter assembly



11

Install bolt through reverse-lockout support bracket and install into bushing. Install transmission bracket back onto transmission and torque to factory specification. Install Front Shifter Bushing into bracket.



1 Mount is lowered to allow the shift linkage bolt to be removed

2 Bracket is removed to allow the shift linkage bolt to be removed

Follow Steps 7 to 1 backwards, tighten all re-installed hardware to factory specification to complete the install.