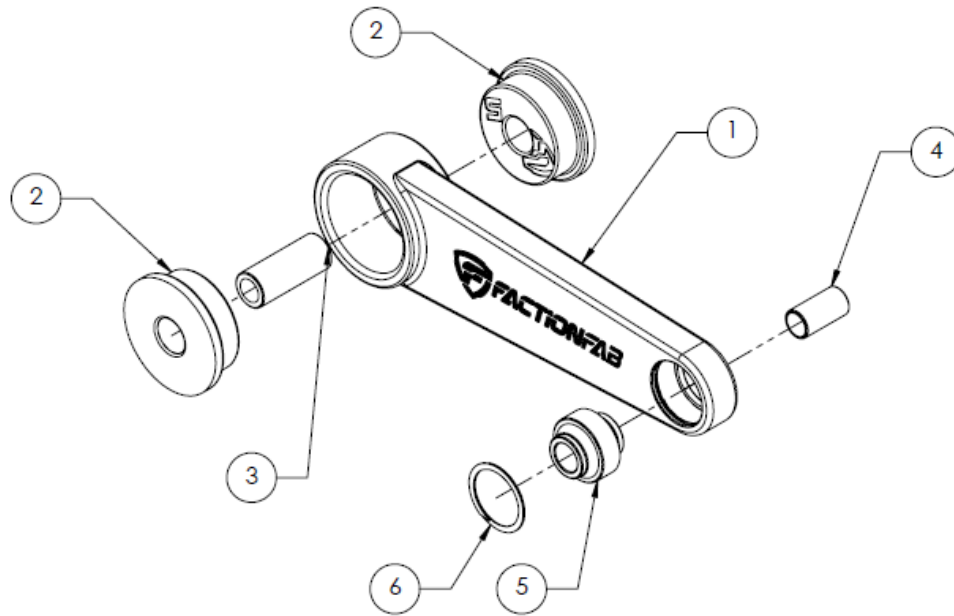




INSTALLATION INSTRUCTIONS

FFA 1.10010.1

SUBARU PITCH STOP MOUNT



BILL OF MATERIALS			
Item #	Description	QTY	Part Number
1	MOUNT	1	2.10010.1.1.1
2	BUSHINGS	2	2.10009.1.2.1
3	REAR INSERT	1	2.10010.1.3.1
4	FRONT INSERT	1	2.10010.1.2.1
5	BEARING	1	2.10010.1.4.1
6	RETAINING CLIP	1	2.10010.1.5.1

TOOL LIST
Ratchet, Extensions
10mm, 12mm, 14mm SOCKET
12mm, 14mm Open End Wrench
Oxygen Sensor Socket
Torque Wrench

NOTE: DUE TO THE USE OF A SPHERICAL BEARING AND HARDER DUROMETER URETHANE, THERE WILL BE AN INCREASE OF NOICE, VIBRATION AND HARSHNESS

DISCLAIMER: PLEASE READ AND MAKE SURE YOU FULLY UNDERSTAND THE INSTALLATION INSTRUCTIONS PRIOR TO INSTALLING FACTION FAB PRODUCTS AND ACCESSORIES. FAILURE TO INSTALL THE PRODUCT CORRECTLY CAN AND WILL RESULT IN IRREVERSIBLE VEHICLE DAMAGE AND OR PERSONAL HARM. IF YOU DO NOT FEEL COMFORTABLE WITH ANY OF THE REQUIRED STEPS, WE HIGHLY SUGGEST TAKING THE VEHICLE TO A QUALIFIED AND EXPERIENCED TECHNICIAN. FAILURE TO UNDERSTAND THE INSTRUCTIONS WHICH RESULTS IN DAMAGE AND OR INJURY IS THE SOLE RESPONSIBILITY OF THE INSTALLER AND ALL FAULT LIES WITH THAT PARTY AND OR INDIVIDUAL AND IS NOT IN ANY WAY, SHAPE OR FORM THE RESPONSIBILITY OF FACTION FAB.

FACTION FAB PRODUCTS ARE SOLD FOR "OFF-ROAD" USE ONLY AND MAY NOT MEET LEGAL REQUIREMENTS FOR OPERATIONS ON PUBLIC ROADS AND HIGHWAYS. WE PUT THE RESPONSIBILITY SOLELY ON THE END CONSUMER/CUSTOMER TO VERIFY THAT THE PRODUCTS DO NOT EFFECT THE VEHICLES ELIGIBILITY TO BE DRIVEN ON PUBLIC ROADS AND HIGHWAYS. INSTALLATION OF FACTION FAB PRODUCTS MAY VOID FACTORY OR AFTERMARKET WARRANTIES.

USE OF PRODUCT IN A NON-CONFIRMED APPLICATION, DISASSEMBLY OF THE PRODUCT, MODIFICATION OF THE PRODUCT, EXPOSING PRODUCT TO CORROSIVE OR PETROLIUM BASED CHEMICANS WILL VOID ANY AND ALL WARRANTY.

1

DUE TO A LARGE VARIATIONS OF APPLICABLE VEHICLES WE STRONGLY RECOMMEND CONSULTING THE FACTORY SERVICE MANUAL ON HOW TO REMOVE COMPONENTS WHICH ARE BLOCKING ACCESS TO THE PITCHSTOP MOUNT



2

REMOVE THE TWO BOLTS WHICH SECURE THE FACTORY MOUNT



3

CLEAN THE MOUNTING LOCATION TO AID IN INSTALLATION OF THE NEW MOUNT



4

INSTALL NEW MOUNT AND RE-INSTALL THE FACTORY HARDWARE. TIGHTEN HARDWARE TO FACTORY SPECIFICATION.



REINSTALL ANY PREVIOUSLY REMOVED ITEMS WHICH ALLOWED ACCESS TO THE MOUNT.

NOTE THAT DUE TO THE USE OF A SPHERICAL BEARING AND HARDER DUROMETER URETHANE, THERE WILL BE AN INCREASE OF NOISE, VIBRATION AND HARSHNESS