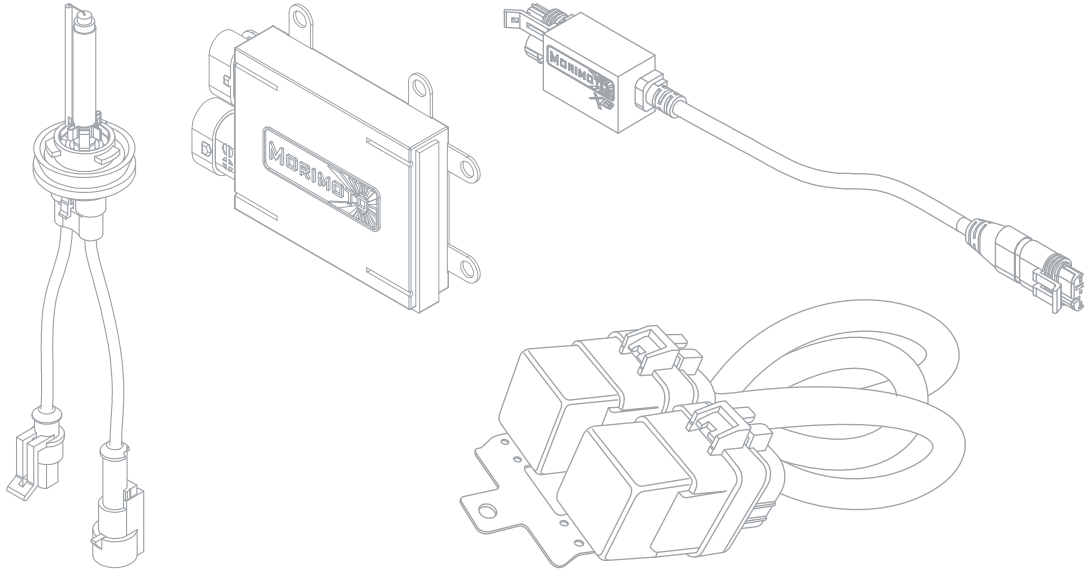




THE AUTOMOTIVE LIGHTING BENCHMARK



INSTALLATION GUIDE

H11 / H9 / H8 / 880 ELITE HID SYSTEM




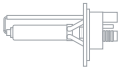

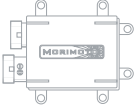

WARNING: By reading this document, I agree it is only to be used as an educational guide. Morimoto Lighting makes no guarantee on any finished results, nor are they to be held responsible for any damage, misuse, or personal injuries. Use at your own risk. If you are unable to clearly understand and adapt the information below to your own application, professional installation is recommended.

TABLE OF CONTENTS


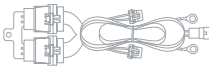


IDENTIFYING INSTALLATION TYPE	P.3
SYSTEM DIAGRAMS	P.4
EXTERNALLY-WIRED W/ CANBUS HARNESS	P.4
EXTERNALLY-WIRED W/ HD RELAY HARNESS	P.5
INTERNALLY-WIRED W/ CANBUS HARNESS	P.6
INTERNALLY-WIRED W/ HD RELAY HARNESS	P.7
HARNESS INSTALLATION	P.8
BULB INSTALLATION	P.9
EXTERNALLY-WIRED BULB INSTALLATION	P.9
INTERNALLY-WIRED BULB INSTALLATION	P.10
BALLAST INSTALLATION	P.13

KIT CONTENTS

STANDARD PARTS

	1x TEST LEAD
	2x HID BULBS
	2x BULB WIRES
	2x BALLAST COMPUTERS
	2x AMP IGNITERS

OPTIONAL PARTS

	2x CANBUS HARNESSES
	1x HD RELAY HARNESS
	1x CAPACITOR LINK
	2x CARBON FIBER BALLAST BRACKETS



The included ballast test lead is used for troubleshooting purposes only and is not part of the installation of this system. If necessary, the test lead can be plugged into the ballast input and then connected to a 12V+ source to test the ballast. This must be done with the bulb connected to the ballast prior to applying power.

IDENTIFYING YOUR INSTALLATION TYPE



NOTE: There are two types of installations with H-Series bulbs: **EXTERNALLY** and **INTERNALLY** wired. The install guide that follows will cover both types.

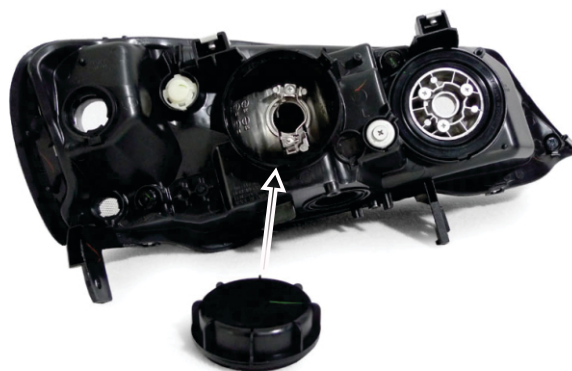


OR



Your headlights are **EXTERNALLY WIRED** when you can access the bulb from the back of the headlight without removing any caps or covers. Wiring for the bulb is visible and accessible outside of the housing.

Your headlights are **INTERNALLY WIRED** when you must first remove a cap (generally plastic) to access the bulb. Inside the housing, there is wiring going to the bulb.



**Externally-Wired
w/ Standalone Canbus
Proceed to Page 4**

**Externally-Wired
w/ HD Relay Harness
Proceed to Page 5**



**Internally-Wired
w/ Standalone Canbus
Proceed to Page 6**

**Internally-Wired
w/ HD Relay Harness
Proceed to Page 7**

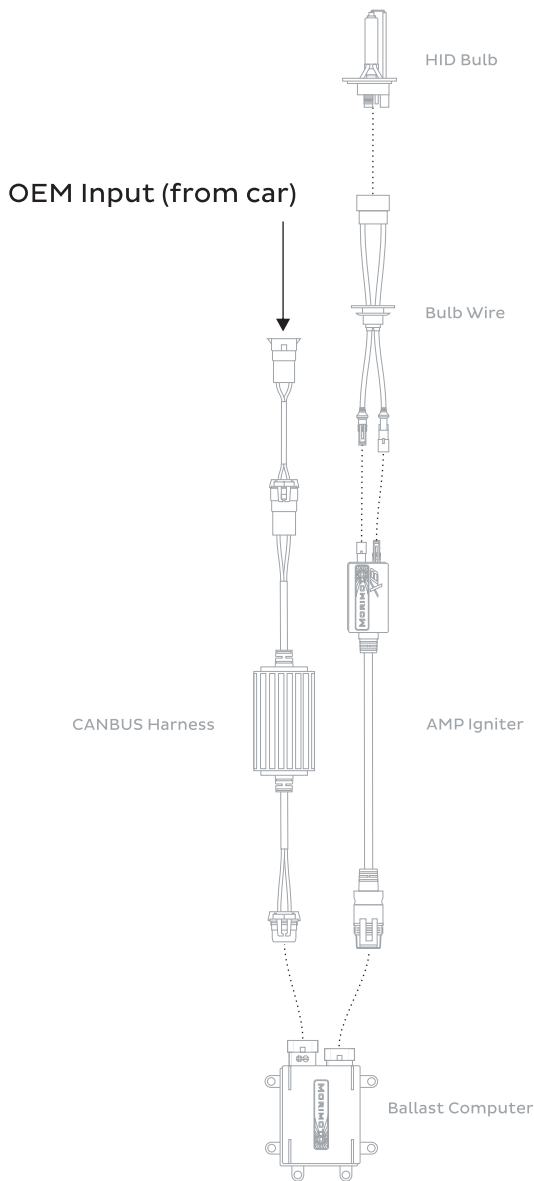
SYSTEM DIAGRAMS



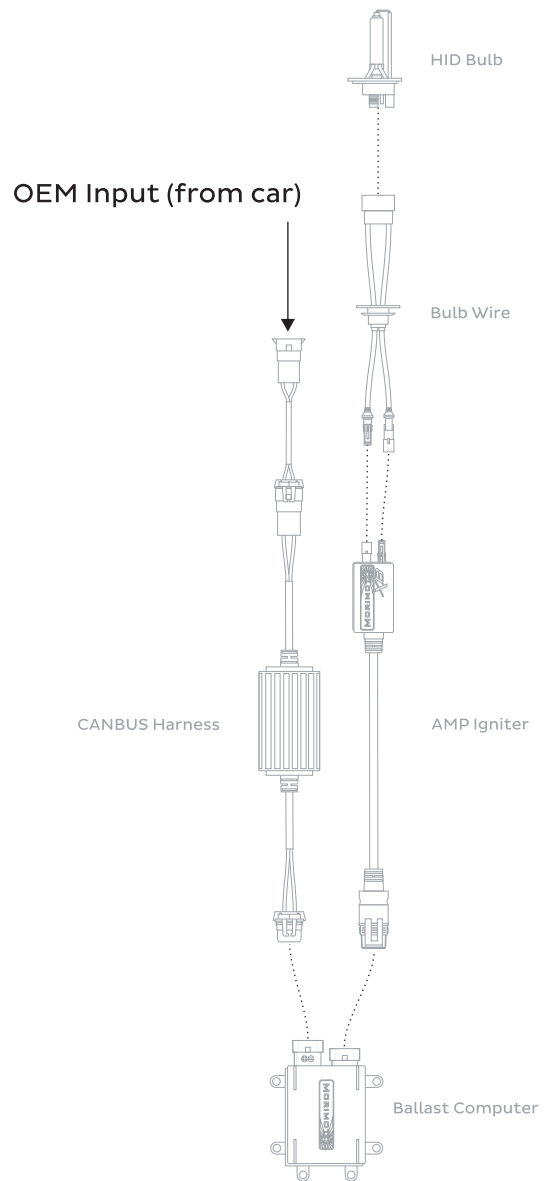
NOTE: System diagrams are to be used for reference purposes only. If you are unsure of the installation procedure for any individual part, review its install procedure prior to proceeding.

EXTERNALLY-WIRED W/ STANDALONE CANBUS

Right Side of Vehicle



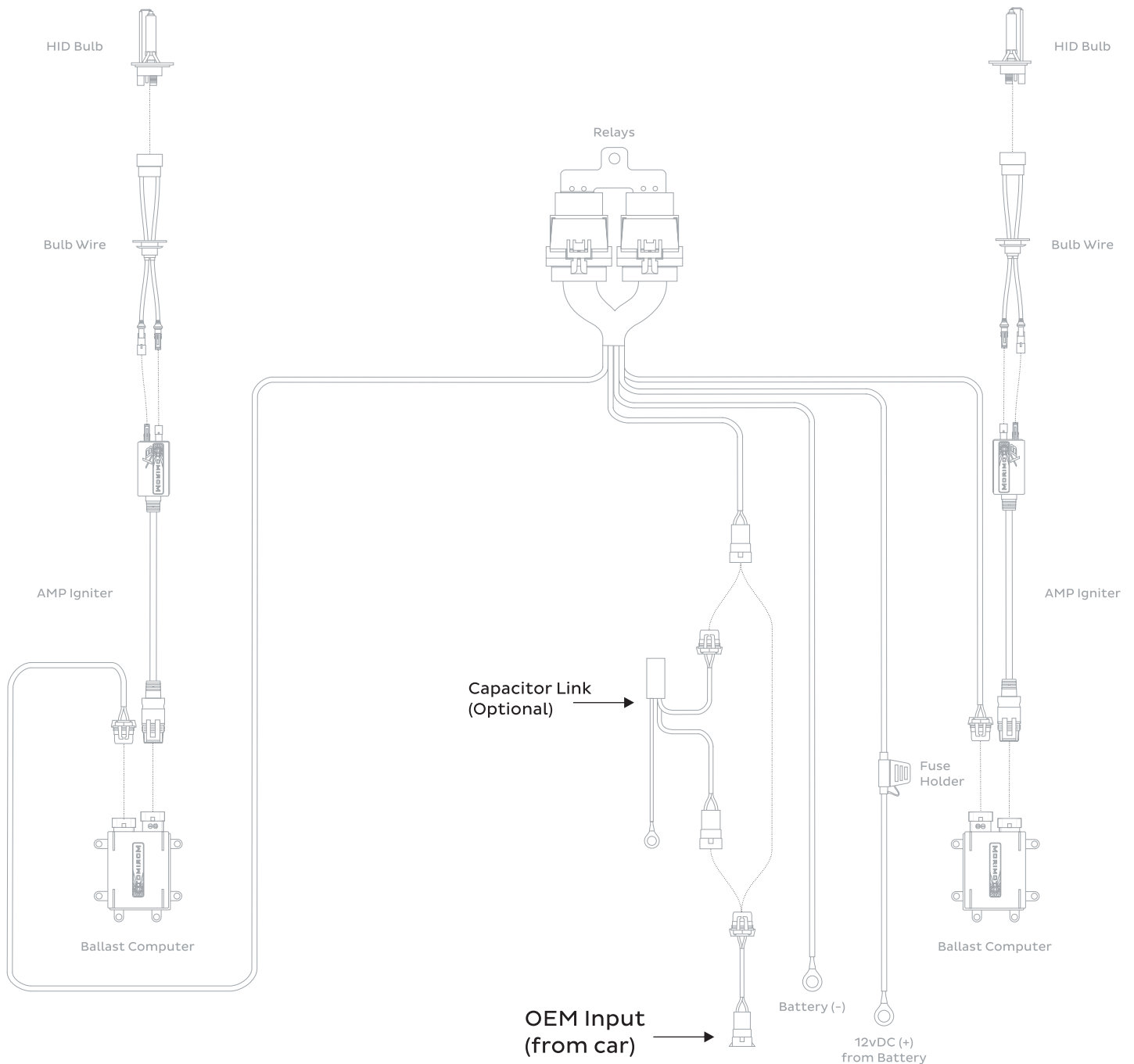
Left Side of Vehicle



EXTERNALLY-WIRED W/ HD RELAY HARNESS

Side of vehicle
further from battery

Side of vehicle
closer to battery

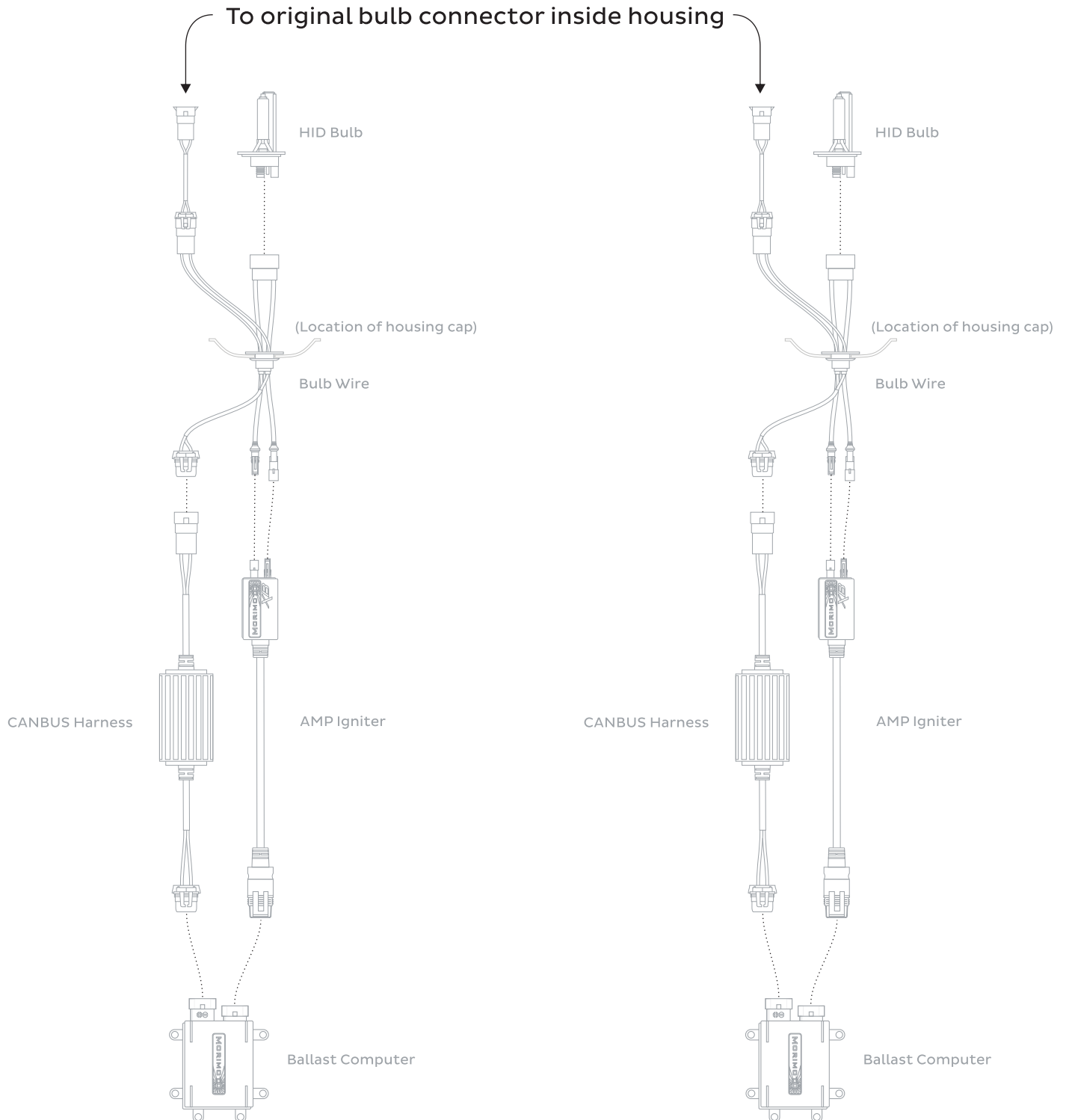


Skip to Page 8 for component-specific procedures

INTERNALLY-WIRED W/ STANDALONE CANBUS

Right Side of Vehicle

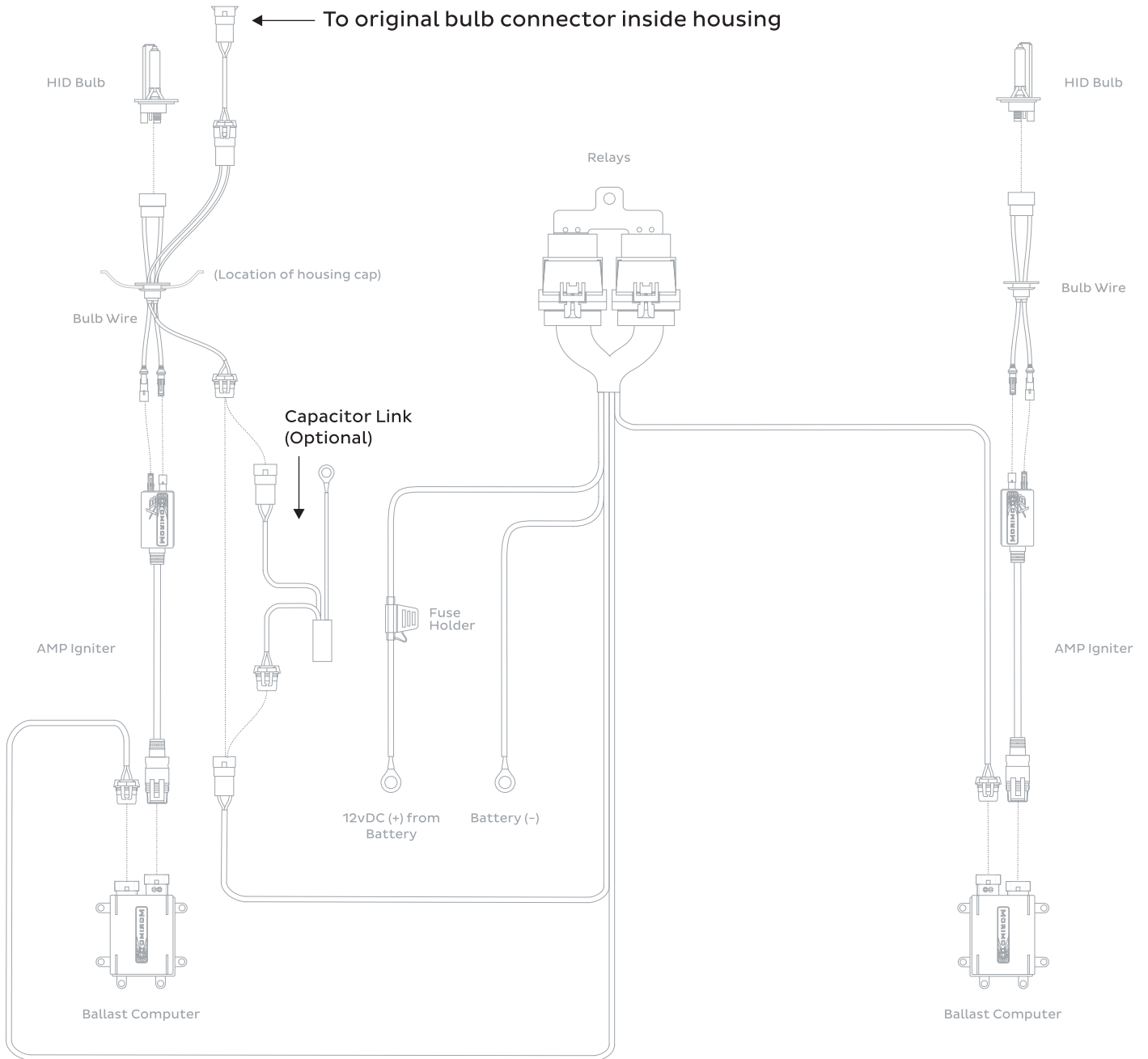
Left Side of Vehicle



INTERNALLY-WIRED W/ HD RELAY HARNESS

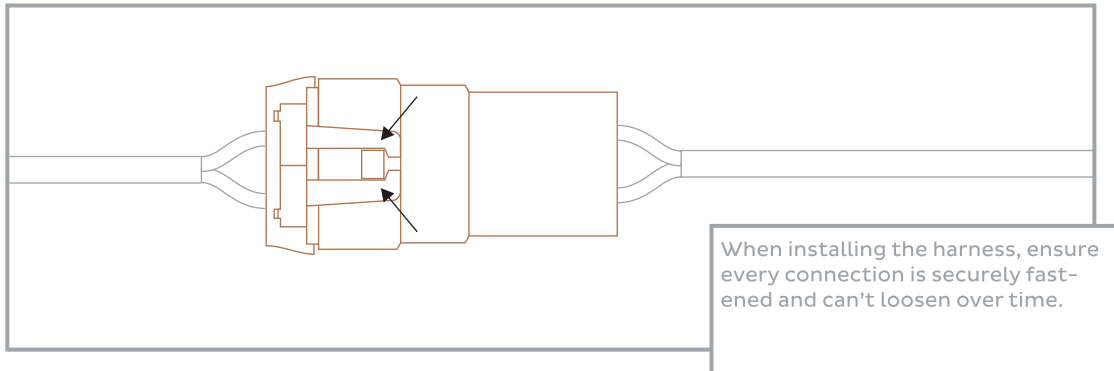
Side of vehicle
closer to battery

Side of vehicle
further from battery

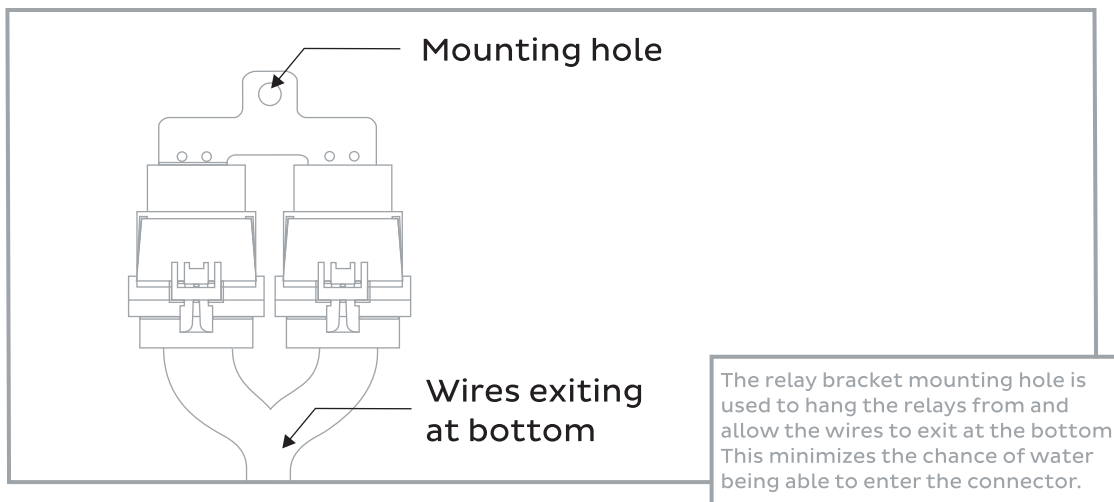


HARNESS INSTALLATION

SPECIAL NOTE: ALL HARNESS TYPES



SPECIAL NOTE: HD RELAY HARNESS



BULB INSTALLATION



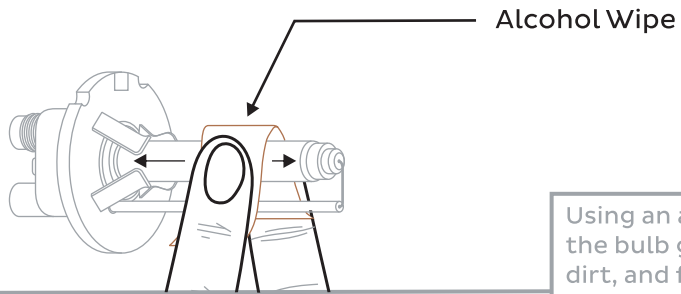
CAUTION: HOT!



HANDLE ONLY WITH
BLACK PLASTIC BASE

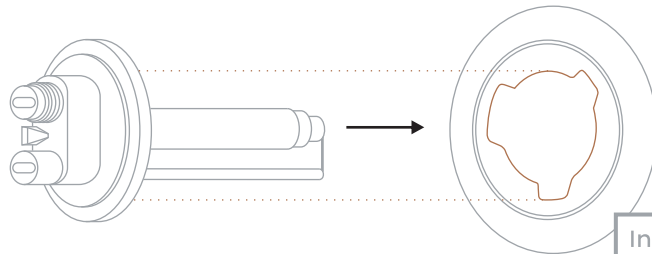
STEP BY STEP - EXTERNALLY-WIRED

1



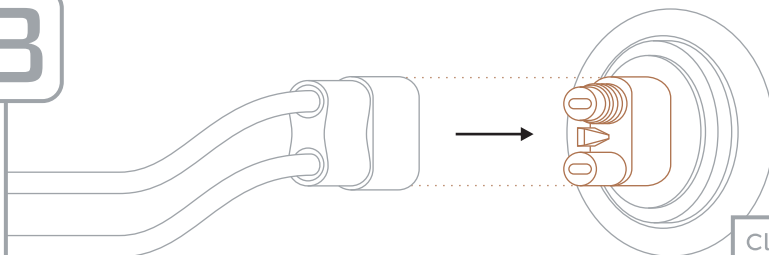
Using an alcohol wipe, clean the bulb glass of any dust, dirt, and finger prints.

2

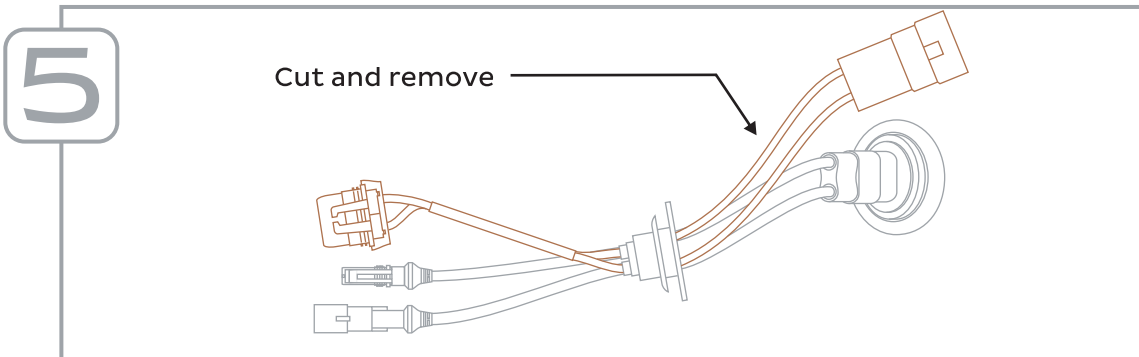
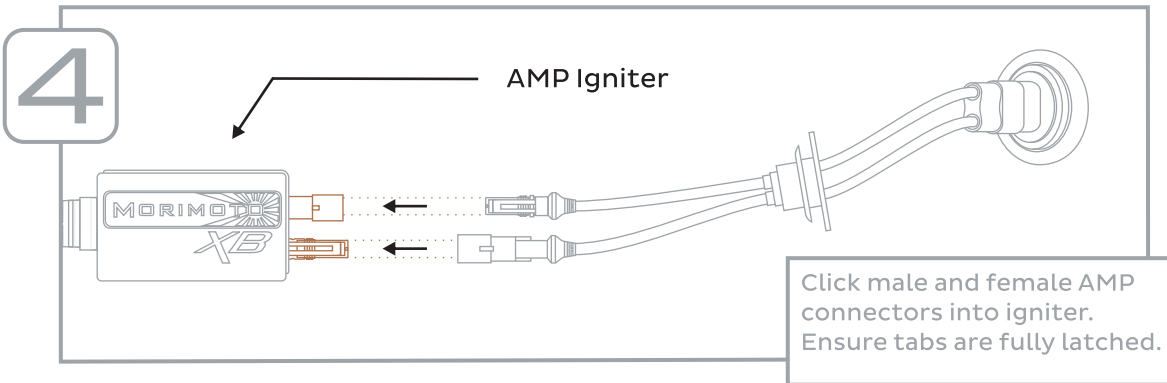


Install bulb into housing, replacing the stock halogen bulb.

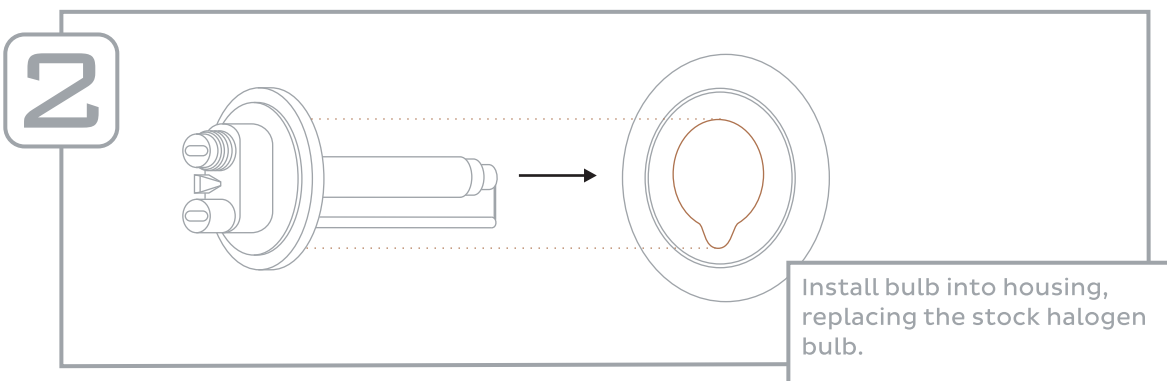
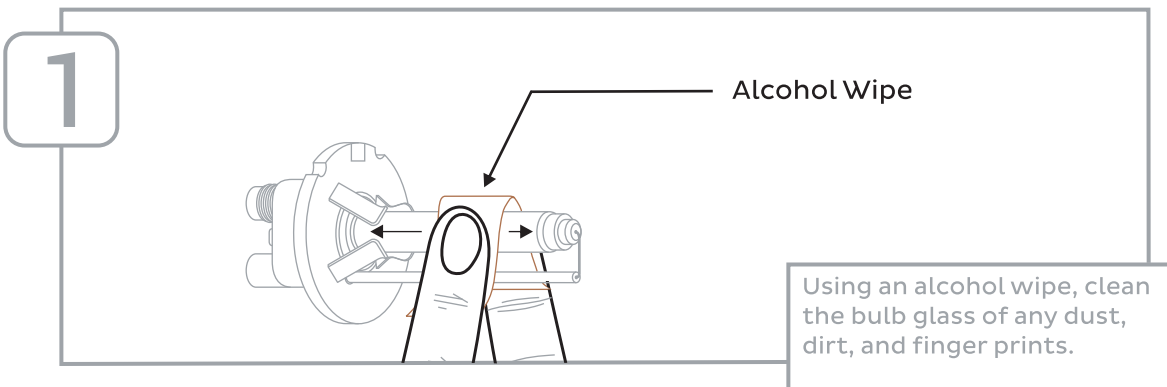
3



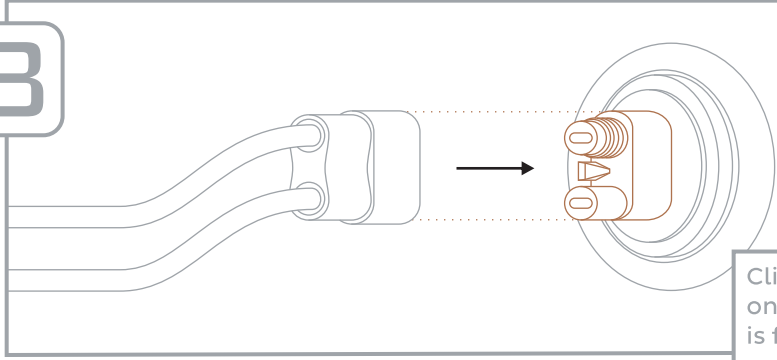
Click bulb wire connection onto bulb. Ensure side tab is fully latched.



STEP BY STEP - INTERNALLY-WIRED



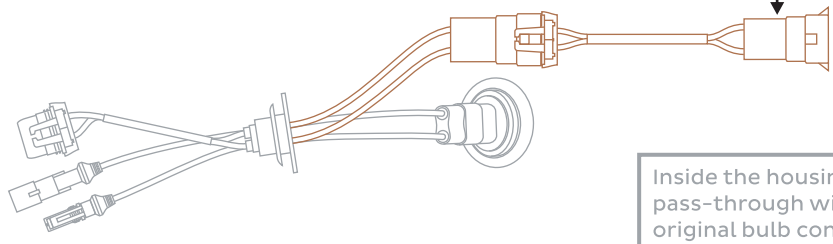
3



Click bulb wire connection onto bulb. Ensure side tab is fully latched.

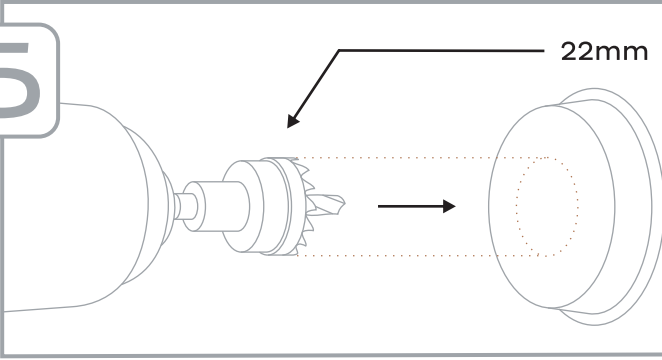
4

To original bulb connector inside housing



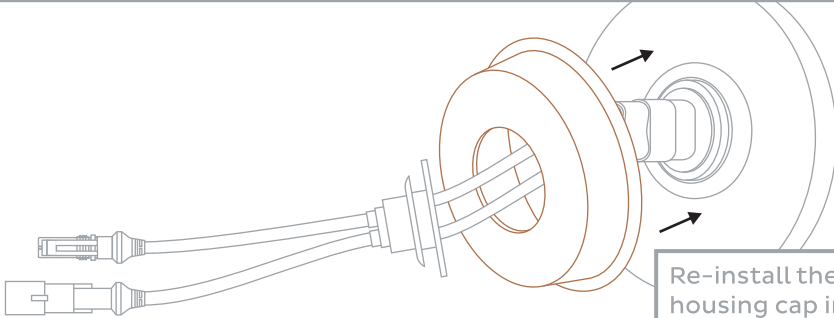
Inside the housing, connect the pass-through wiring into the original bulb connector. NOTE: Style may vary

5



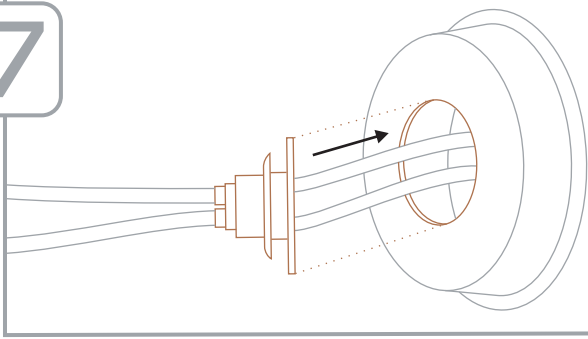
In the factory housing cap that covers the bulb, drill a 22mm hole using a hole saw.

6



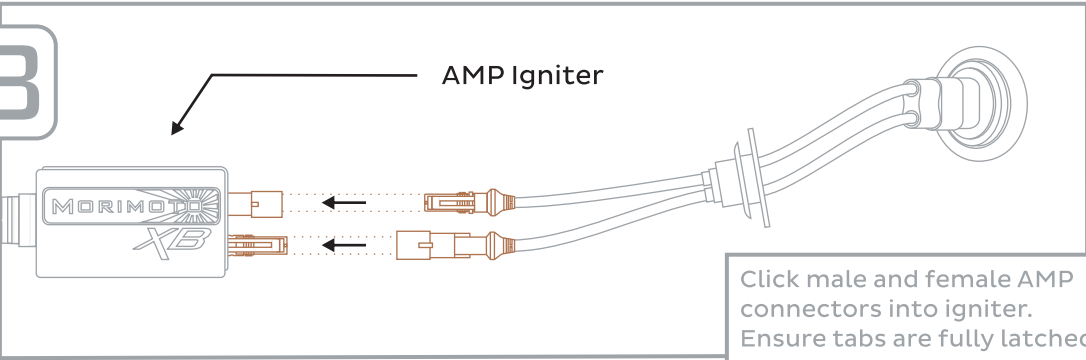
Re-install the factory housing cap into its original position.

7



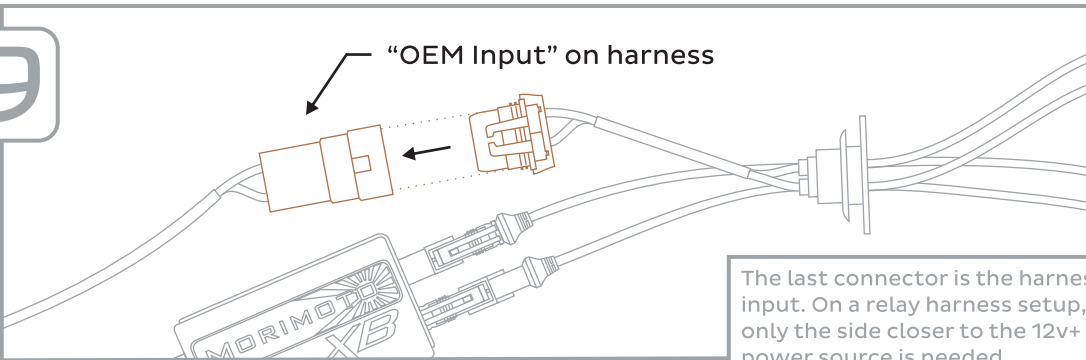
Fit black silicone gasket into hole in housing cap, allowing each side to be fully covering the hole.

8



Click male and female AMP connectors into igniter. Ensure tabs are fully latched.

9



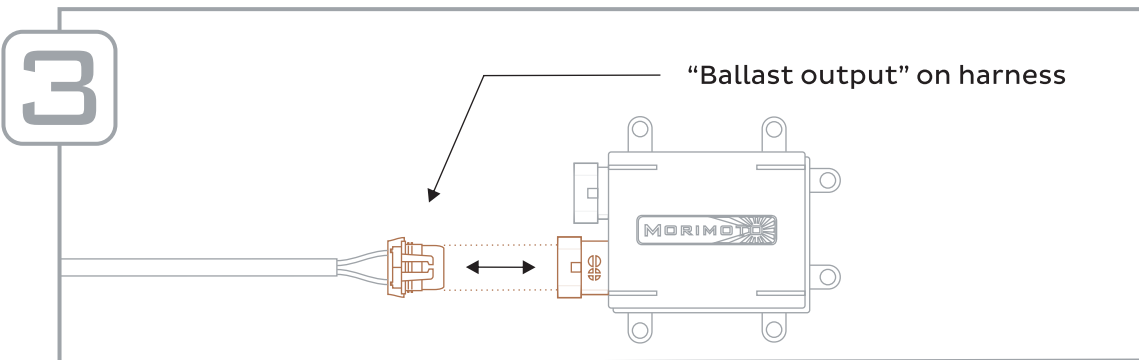
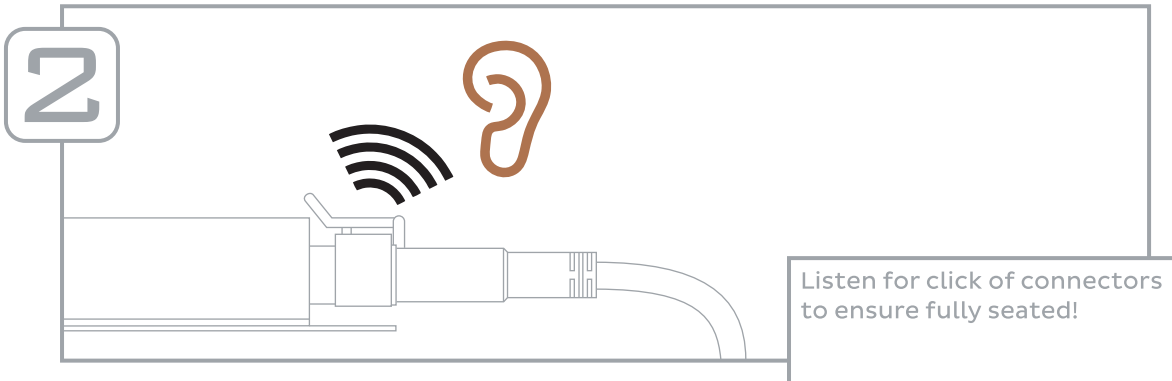
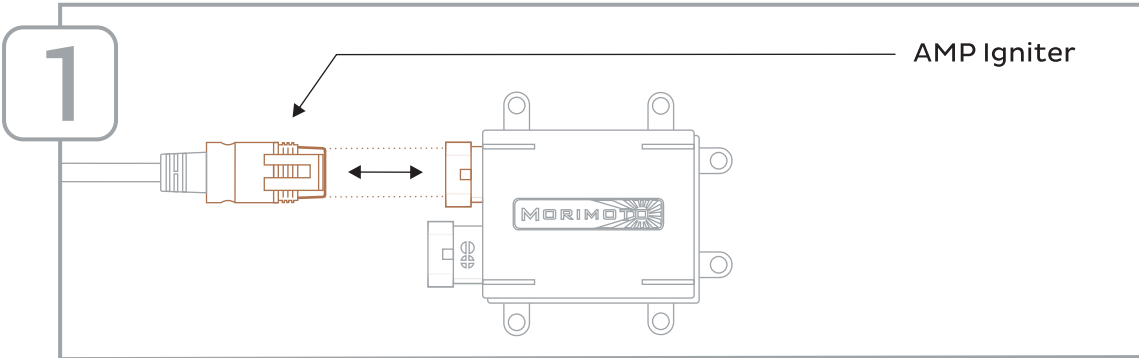
The last connector is the harness input. On a relay harness setup, only the side closer to the 12v+ power source is needed.

BALLAST INSTALLATION



DO NOT IGNITE UNTIL
FULLY CONNECTED!

WATERPROOF



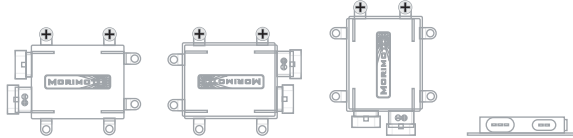
4



Listen for click of connectors to ensure fully seated!

5

Recommended mounting:



Do not mount ballast with connectors aimed upward!

-END-